

Exceedconn

CONNECTIVITY SOLUTIONS EXPERTS

**S Series Harness
CSA Coding DC Distributor**

To Provide Customer
Total Inter-connection Solutions

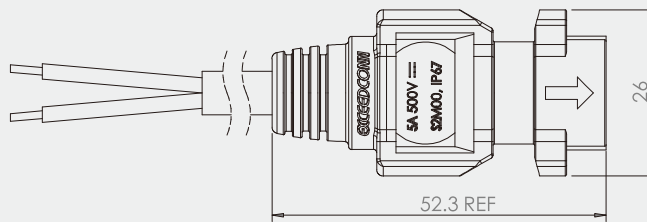








Provide more convenient
distribution solution for LED module

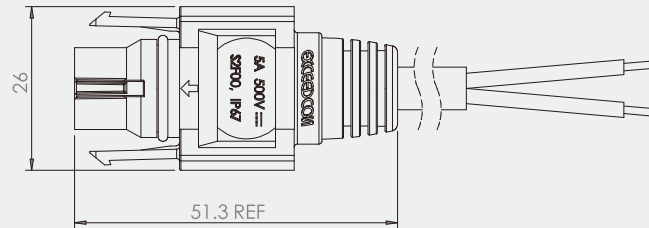
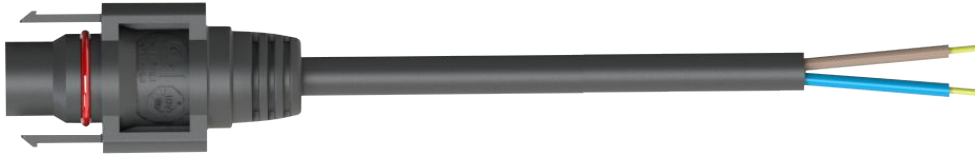
Push-on B-TYPE Male Connector Harness





Code	Contacts	Cable Type	Cable Prepared			Cable Length mm	Ordering No.
			Sheath Peeling Length mm	Wire Peeling Length mm	Conductor prepare		
	2	IEC57(YZW) 2x1.0mm ²	60	9	Dip Tin	300	S2M705020-0411
						600	S2M705020-0415
						900	S2M705020-0416
	3	IEC57(YZW) 3x1.0mm ²	40	3.5	Dip Tin	250	S2M705030-0614

Contacts	2	3
Rated Voltage	500V	400V
Rated Impulse Voltage	3000V	3000V
Rated Current	10A	
Contact Resistance	10mΩ	
Insulation Resistance	100MΩ	
Protection Degree	IP67	
Working Temperature	-40℃~+85℃	
Material of Overmolding	PA	
Material of Contact	Copper Alloy with Gold Plating	
Standard According to	EN61984 UL2238	
Color of Wire	1,Brown 2, Blue	1,Brown 2,Blue 3,Yellow/Green

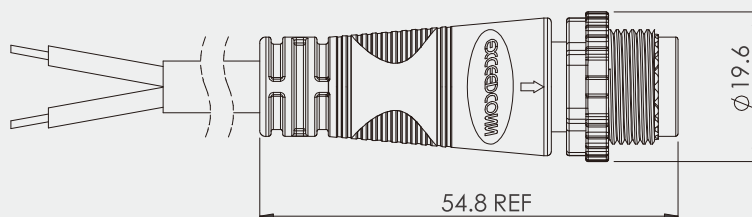
Push-on B-TYPE Female Connector Harness





Code	Contacts	Cable Type	Cable Prepared			Cable Length mm	Ordering No.
			Sheath Peeling Length mm	Wire Peeling Length mm	Conductor prepare		
	2	IEC57(YZW) 2x1.0mm ²	40	3.5	Dip Tin	250	S2F705020-0414
			35	3	Dip Tin	400	S2F705020-0519
	3	IEC57(YZW) 3x1.0mm ²	60	9	Dip Tin	300	S2F705030-0611
						600	S2F705030-0615
						900	S2F705030-0616

Contacts	2	3
Rated Voltage	500V	400V
Rated Impulse Voltage	3000V	3000V
Rated Current	10A	
Contact Resistance	10mΩ	
Insulation Resistance	100MΩ	
Protection Degree	IP67	
Working Temperature	-40℃~+85℃	
Material of Overmolding	PA	
Material of Contact	Copper Alloy with Gold Plating	
Standard According to	EN61984 UL2238	
Color of Wire	1,Brown 2, Blue	1,Brown 2,Blue 3,Yellow/Green

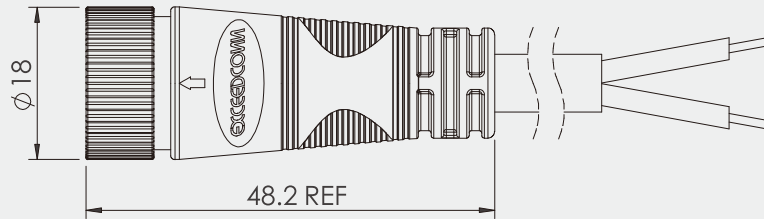
CSA Male Connector Harness





Code	Contacts	Cable Type	Cable Prepared			Cable Length mm	Ordering No.
			Sheath Peeling Length mm	Wire Peeling Length mm	Conductor prepare		
	2	IEC57 (YZW) 2*1.0mm ²	60	9	Dip Tin	300	S3M705020-0511-02
						600	S3M705020-0515-02
						900	S3M705020-0516-02
	4	PVC 4*0.2mm ²	customized	customized	customized	350	S3M901040-1125-05

Contacts	2	4
Rated Voltage	500V	50V
Rated Impulse Voltage	3000V	600V
Rated Current	5A	1A
Contact Resistance	10mΩ	
Insulation Resistance	100MΩ	
Protection Degree	IP67	
Working Temperature	-40℃~+85℃	
Material of Overmolding	PA	
Material of Contacts	Copper Alloy with Gold Plating	
Standard According to	EN61984 UL2238	
Color of Wire	1,Brown 2, Blue	1,Red 2,Blue 3,Black 4, White
Certification	CCC TUV	

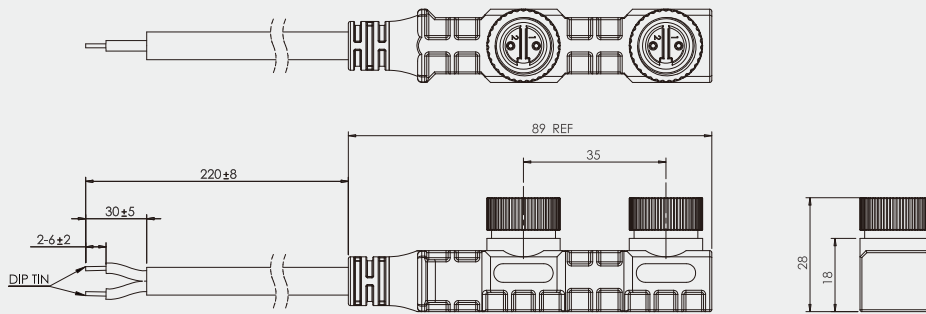
CSA Female Connector Harness



Code	Contacts	Cable Type	Cable Prepared			Cable Length mm	Ordering No.
			Sheath Peeling Length mm	Wire Peeling Length mm	Conductor prepare		
	2	IEC57 (YZW) 2*1.0mm ²	40	3.5	Dip Tin	250	S3F705020-0514-02
						280	S3F705020-0522-02
	4	PVC 4*0.2mm ²	customized	customized	customized	350	S3F901040-1125-05

Contacts	2	4
Rated Voltage	500V	50V
Rated Impulse Voltage	3000V	600V
Rated Current	5A	1A
Contact Resistance	10mΩ	
Insulation Resistance	100MΩ	
Protection Degree	IP67	
Working Temperature	-40℃~+85℃	
Material of Overmolding	PA	
Material of Contacts	Copper Alloy with Gold Plating	
Standard According to	EN61984 UL2238	
Color of Wire	1,Brown 2, Blue	1,Red 2,Blue 3,Black 4, White
Certification	CCC TUV	

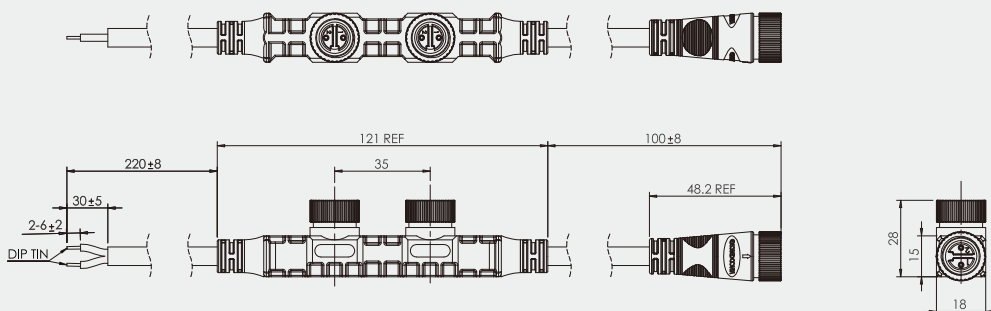
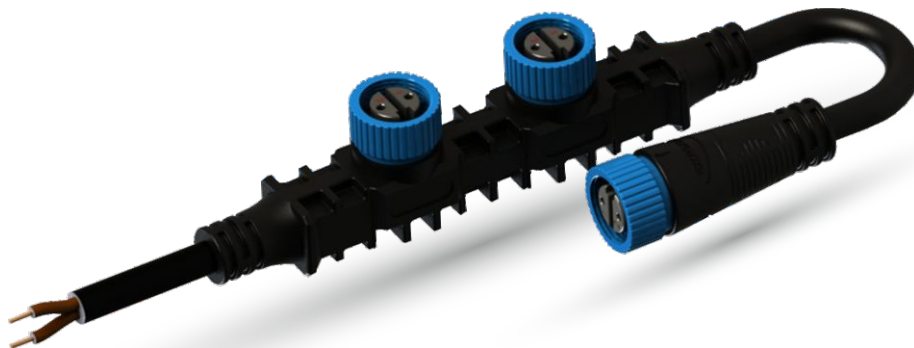
CSA Connector Distribution Harness 2 ways output



Contacts per Interface	Cable Length mm	Cable Peeling Dim. mm	Wire Peeling Dim. mm	Interface Quantity	Circuit	Ordering No.
2	220 (Customized)	30 (Customized)	6 (Customized)	2	Series	920001400
					Parallel	920002500

Circuit	Series	Parallel
Contacts per Interface	2	
Rated Voltage	400V	
Rated Impulse Voltage	2500V	
Rated Current	5A	
Contact Resistance	10mΩ	
Insulation Resistance	100MΩ	
Protection Degree	IP67	
Working Temperature	-40℃~+85℃	
Material of Overmolding	PA	
Material of Contacts	Copper Alloy with Gold Plating	
Standard According to	EN61984 UL2238	
Certification(Planning)	CQC/TUV/UL	

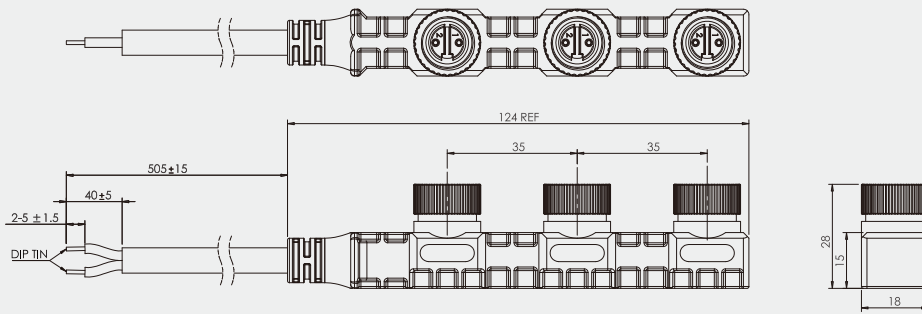
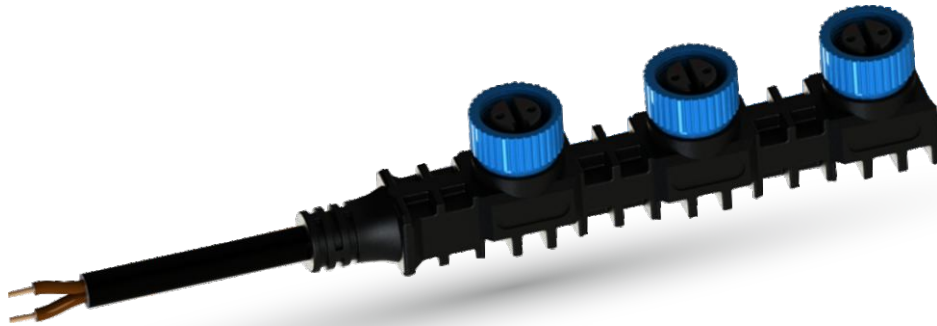
CSA Connector Distribution Harness 3 ways output



Contacts per Interface	L1(mm)	L2(mm)	Cable Peeling Dim. mm	Wire Peeling Dim. mm	Interface Quantity	Circuit	Ordering No.
2	220 (Customized)	100 (Customized)	30 (Customized)	6 (Customized)	3	Series	920001500
						Parallel	920002600

Circuit	Series	Parallel
Contacts per Interface	2	
Rated Voltage	400V	
Rated Impulse Voltage	2500V	
Rated Current	5A	
Contact Resistance	10mΩ	
Insulation Resistance	100MΩ	
Protection Dergree	IP67	
Working Temperature	-40℃~+85℃	
Material of Overmolding	PA	
Material of Contacts	Copper Alloy with Gold Plating	
Standard According to	EN61984 UL2238	
Certification(Planning)	CQC/TUV/UL	

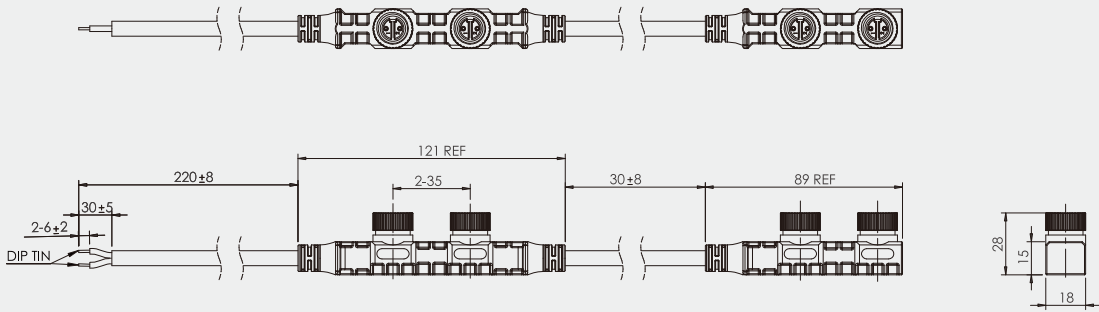
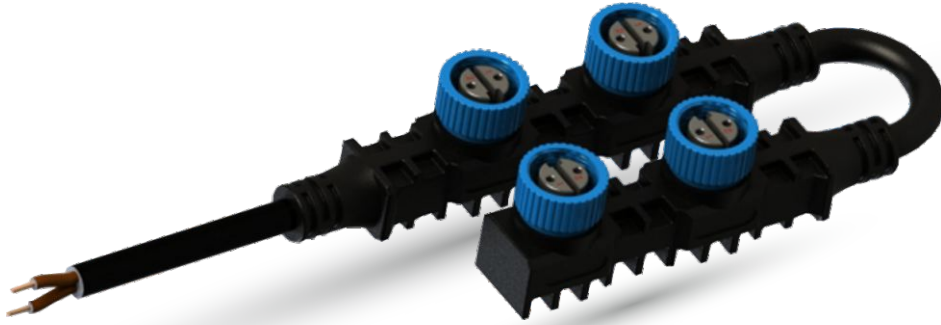
CSA Connector Distribution Harness 3 ways output



Contacts per Interface	Cable Length mm	Cable Peeling Dim. mm	Wire Peeling Dim. mm	Interface Quantity	Circuit	Ordering No.
2	505 (Customized)	40 (Customized)	5 (Customized)	3	Series	920002200
					Parallel	920002700

Circuit	Series	Parallel
Contacts per Interface	2	
Rated Voltage	400V	
Rated Impulse Voltage	2500V	
Rated Current	5A	
Contact Resistance	10mΩ	
Insulation Resistance	100MΩ	
Protection Degree	IP67	
Working Temperature	-40℃~+85℃	
Material of Overmolding	PA	
Material of Contacts	Copper Alloy with Gold Plating	
Standard According to	EN61984 UL2238	
Certification(Planning)	CQC/TUV/UL	

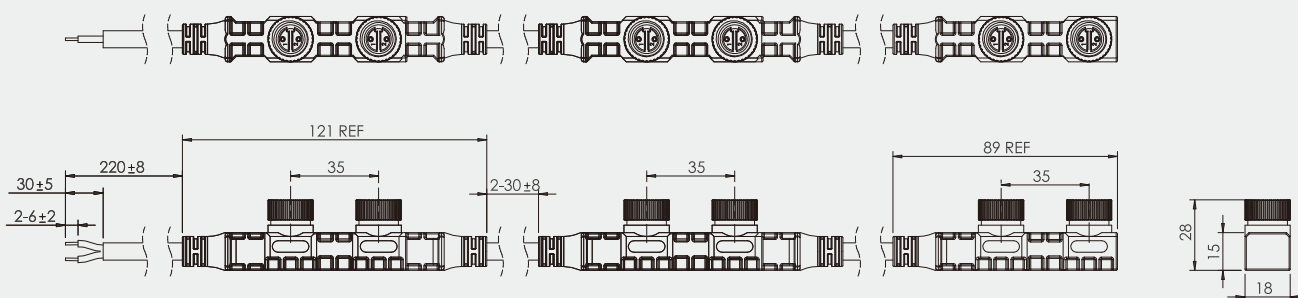
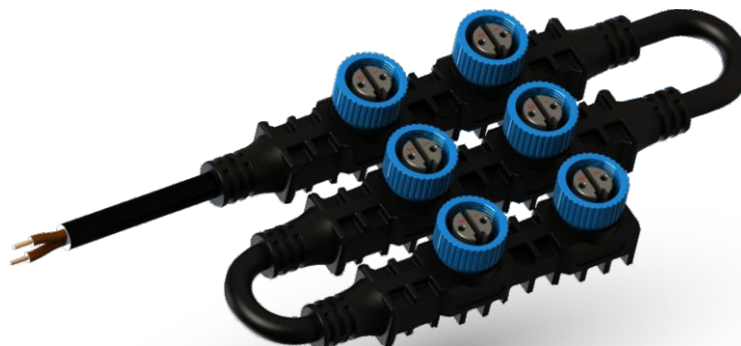
CSA Connector Distribution Harness 4 Ways Output



Contacts per Interface	L1(mm)	L2(mm)	Cable Peeling Dim. mm	Wire Peeling Dim. mm	Interface Quantity	Circuit	Ordering No.
2	220 (Customized)	30	30 (Customized)	6 (Customized)	4	Series	920002400
						Parallel	920002800

Circuit	Series	Parallel
Contacts per Interface	2	
Rated Voltage	400V	
Rated Impulse Voltage	2500V	
Rated Current	5A	
Contact Resistance	10mΩ	
Insulation Resistance	100MΩ	
Protection Degree	IP67	
Working Temperature	-40℃~+85℃	
Material of Overmolding	PA	
Material of Contacts	Copper Alloy with Gold Plating	
Standard According to	EN61984 UL2238	
Certification(Planning)	CQC/TUV/UL	

CSA Connector Distribution Harness 6 Ways Output



Contacts per Interface	L1(mm)	L2(mm)	Cable Peeling Dim. mm	Wire Peeling Dim. mm	Interface Quantity	Circuit	Ordering No.
2	220 (costomized)	30 (costomized)	30 (costomized)	6 (costomized)	6	Series	920001800
						Parallel	920002900

Circuit	Series	Parallel
Contacts per Interface	2	
Rated Voltage	400V	
Rated Impulse Voltage	2500V	
Rated Current	5A	
Contact Resistance	10mΩ	
Insulation Resistance	100MΩ	
Protection Dergree	IP67	
Working Temperature	-40℃~+85℃	
Material of Overmolding	PA	
Material of Contacts	Copper Alloy with Gold Plating	
Standard According to	EN61984 UL2238	
Certification(Planning)	CQC/TUV/UL	

Exceedconn

CONNECTIVITY SOLUTIONS EXPERTS

Suzhou Industrial Park Exceedconn Technology Co.,Ltd.

- 📍 No.26 Chuangtou Industrial Fair,SIP,Suzhou,Jiangsu,P.R.China
- ☎ Tel:86+0512-62930971/ 62930972/ 67900725
- ☎ Fax:0512-6293 0975
- 🌐 www.exceedconn.com
- ✉ E-mail:yu.gao@exceedconn.com

